

USER MANUAL



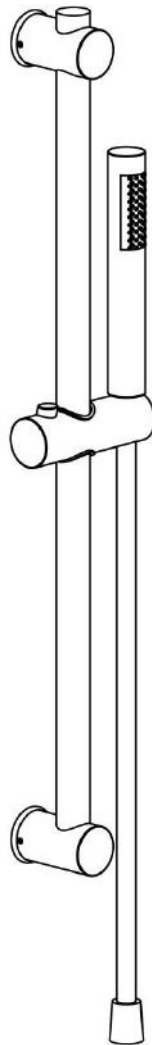
Thank you for choosing Better Bathrooms.
Please read this manual before installing your product
and keep for future reference.

better 
bathrooms

Product

ARIMB012 - Arissa Matt Black Slide Rail Kit

ARIBB013 - Arissa Brushed Brass Slide Rail Kit



- **Single-person assembly**
- **Tools required**
- **We always recommend using professional tradespeople to install your product**

V1_2/9/2022

And welcome to our growing gang of savvy shoppers

We're on a mission to bring you extraordinary bathroom products, for less. From modern to traditional style ceramics, plus the gorgeous fixtures, fittings and furniture to match. So, you can fall in love with your space every single day.

As one of the UK's largest independent bathroom stores, we've received countless awards; including the National Business Awards UK, the Digital Entrepreneur Awards and being placed on The Sunday Times Fast Track 100.

We hope your new product goes above and beyond your expectations. However, should any problems occur, please:

- log in to your account and contact our customer services team via your self-serve portal – betterbathrooms.com/CustomerAccount/Login
- contact us via betterbathrooms.com/content/contact-us

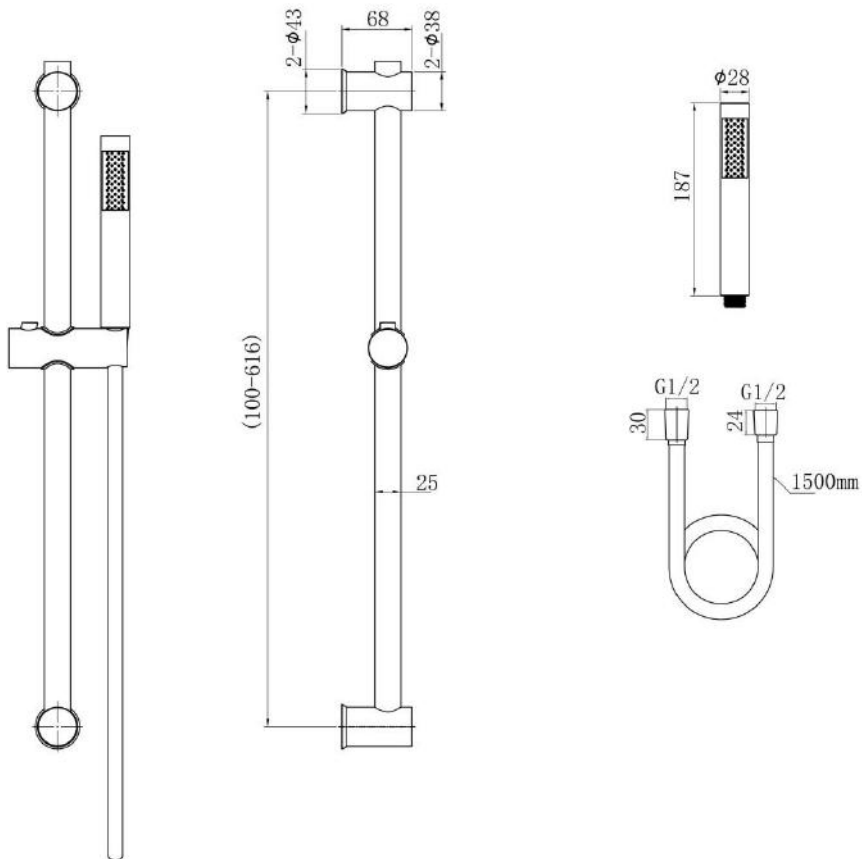
Important information

- Please read these instructions thoroughly and retain for future reference
- Installation must be carried out in compliance with The Water Fittings Regulations and Scottish Water Byelaws.
- Minimum and Maximum working pressure : 0.5 - 5 bar
- Please do not connect hot and cold water supply lines in reverse. This could result in hot water flowing from cold line and cause scalding.
- The feed-water temperature of water shall not exceed 85°C. Exceeding 85° may cause scalding, the service life of shower might be shortened, or the shower might be damaged.
-

Parts / Diagrams

| No | Part Description |
|----|----------------------------|
| 1 | Grub screw |
| 2 | Movable holder |
| 3 | Crosshead screw |
| 4 | Base |
| 5 | Wall plug and fixing screw |
| 6 | Sliding bar assembled |
| 7 | Shower hose |
| 8 | Handshower |

Dimensions

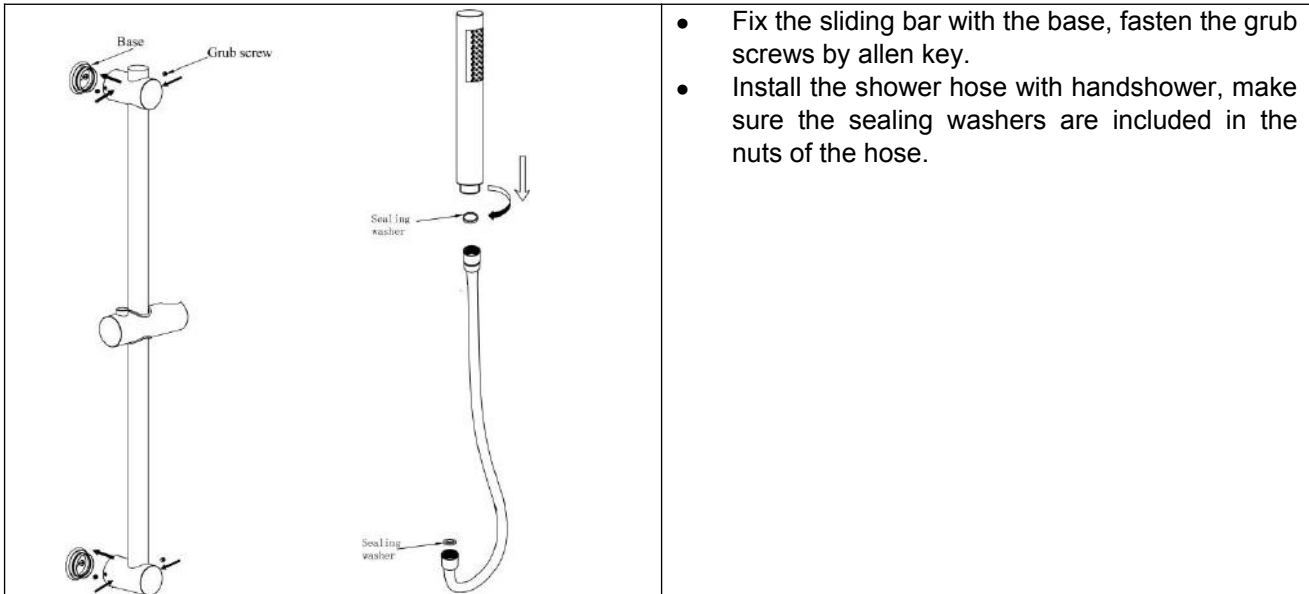


Tools required

- Drill and bit
- Screwdriver
- Hammer

Installation

| | |
|--|---|
| | <ul style="list-style-type: none"> • Loosen the grub screws from the holders of sliding bar by using the allen key provided, in order to take out the bases. Loosen the crosshead screw from the adjustable holder with a screwdriver. |
| | <ul style="list-style-type: none"> • Mark the positions on wall for installing the sliding bar by referring to dimension drawing. • Drill 4 holes to suit the size of wall plugs. • Insert the plugs into the drilled holes and tap flush using a hammer. • Fix the base onto the wall with tapping screws. |
| | <ul style="list-style-type: none"> • Adjust the holder to required height, and tighten the crosshead screw. <p>Note: Ensure the 2 holders keeps align with the installation hole on the backside of sliding bar.</p> |



- Fix the sliding bar with the base, fasten the grub screws by allen key.
- Install the shower hose with handshower, make sure the sealing washers are included in the nuts of the hose.

Troubleshooting

| Issues | Inspection Item |
|-------------------|---|
| Sliding bar loose | <ul style="list-style-type: none"> • Is the self-tapping screws fully tighten in the wall • Is the crosshead screw inside the adjustable holder fully tighten with bar • Is the grub screw fully tighten |

Maintenance and Cleaning

To maintain the surface of your product, wipe with a clean damp cloth and wipe dry, do not use any abrasive cleaning agents or materials.
 If any harsh chemicals come into contact with the surface of the product, rinse and wipe clean immediately.

For more information

- visit betterbathrooms.com
- email customerservices@buyitdirect.co.uk
- call 03303903062
- write to Trident Business Park, Neptune Way, Huddersfield, HD2 1UA

better bathrooms

Part of the BuyItDirect Group

